



An Acuity Brands Company

SUITABLE FOR WET LOCATIONS IP68



# PARADOX

## 22W LED DMX

### COLOR CHANGING

### 10" ARCHITECTURAL IN-GRADE

#### DESCRIPTION:

Hydrel's Paradox Series sealed modular in-grade luminaires are multi-purpose units designed for up lighting architectural and landscape features. These units use a Red, Green, and Blue (RGB) LED array to create DMX controlled color changing lighting effects. Color control is achieved through 3 or 4 channels per fixture, standard DMX512 hardware, at a maximum of 44 frames per second. All channels have logarithmic power for finer color and intensity control. The fourth channel, Intensity, allows the user to vary brightness without affecting the color. The integral power and control modules are enclosed in the housing. The proprietary control module senses the LED temperature and adjusts the LED power accordingly to yield a lamp life of up to 50,000 hours of operation.

#### SPECIFICATIONS:

**DOOR MATERIAL:** Die cast bronze or stainless steel.

**HOUSING:** Compression molded polyester with patent pending internal direct access junction box for through-branch wiring. Internal junction box provides 44in<sup>3</sup> volume to ensure proper seal during installation. The housing is U.V. stabilized, impact and corrosion resistant for use in all types of environments. The housing has a side-car configuration and houses the lamp and power module components as well as the lens/ door finishing section.

**LED TYPE:** 22 Watt RGB LED array. (LED Board included.)

**VOLTAGE:** 120VAC 60Hz.

**CONTROL:** Standard DMX512. 3-channels per fixture: Red, Green, Blue or 4-channels per fixture: Red, Green, Blue and Intensity.

**COMMUNICATION TO FIXTURE:** DMX512 direct.

**LIGHT DISTRIBUTION:** See Ordering Guide.

**LENS/SEAL:** Tempered clear flat borosilicate glass. The patent pending door / lens seal uses proprietary knife edge technology to secure the assembly to the housing. Four captive screws hold the assembly in place. The lens is notched to provide maximum aperture opening.

**POWER MODULE:** Integrally mounted modular LED driver, prewired with quick connectors for easy installation and maintenance.

**CONDUIT ENTRIES:** Two molded 3/4" NPT side entries standard, bottom hubs are molded with a 3/4" NPT membrane knockout.

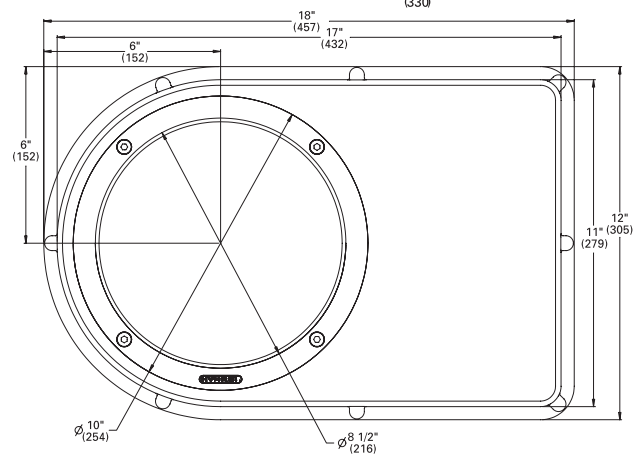
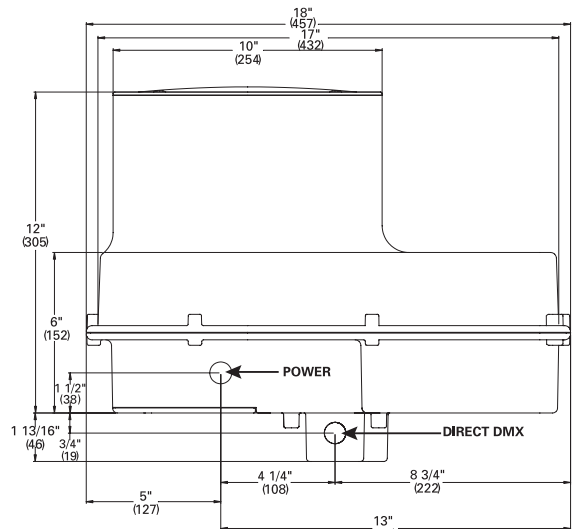
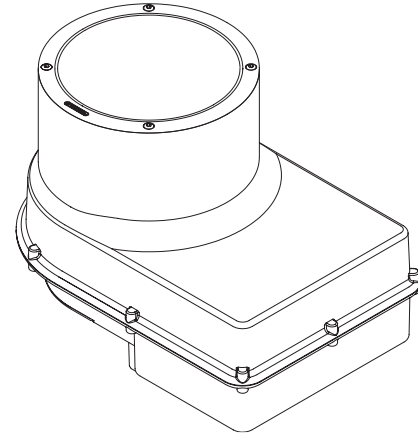
**ACCESSORIES:** See Ordering Guide.

**FINISH:** Natural bronze, stainless steel, or stainless steel with a brushed finish.

**LISTING:** U.L., C.U.L

TYPE		JOB NAME			
------	--	----------	--	--	--

PART NO.					
Model	Material	LED Type	LED Color	Voltage	Distribution
Lens	Conduit	Control	Communication to Fixture	Accessories	Lamp Listing



APPROVALS
-----------



