

Project Information

Job Name _____

Fixture ID/Type _____

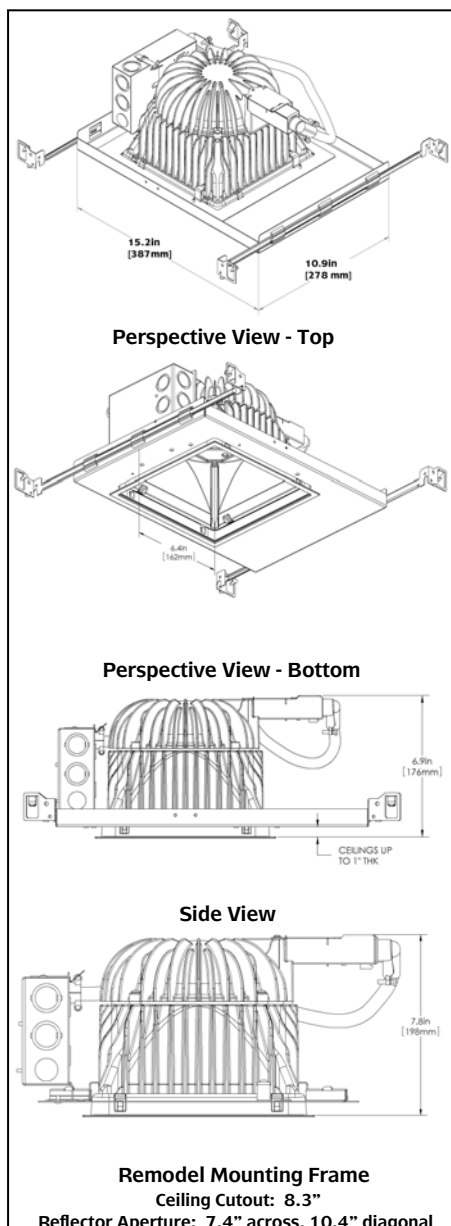
Project Specification Number _____

Approval _____

Date _____

Catalog Number Configuration
7DS3 - DL - DIF - CL - 2 - 120

Model Number	Light Engine	Optic	Reflector	Ref Finish	Lumen Package	Mounting Frame	Voltage
7DS3 7" Downlight	27K 2700K* 30K 3000K 35K 3500K* 41K 4100K *price and lead time adder	DL Downlight	DIF Diffuse	CL Clear	2 7" Lumen Pkg	NF New Construction RF Remodel	120 120 Volt


Specifications
Optics/Reflector and Lens:

Primary optic: high reflectance white integrating chamber with LED circuit board mask.

Secondary optic: diffuse aluminum reflector.

Lens: Optically clear acrylic lens between integrating chamber and secondary optic to eliminate intrusion of debris into optical source.

Trims: Trim ring supplied with all light engines. Mud ring supplied with new construction frames.

Optical Performance (Nominal Readings)C/F - pending photometric testing:**

Light Engine-Lumen Pkg	27K-D	30K-D	35K-D	41K-E
Lumens	C/F	976	C/F	C/F
Wattage - Watts	C/F	28.2	C/F	C/F
Efficacy - LPW	C/F	34.6	C/F	C/F

Correlated Color Temperature within specifications as defined in ANSI C78.377-2008: Specifications for the Chromaticity of Solid State Lighting.

LED Source Configuration:

White LEDs arranged in a circular array inside the patented integrating chamber. Combined light from all LEDs is mixed and blended before being directed through the chamber aperture and secondary reflector.

Power Supply:

Power supply is mounted in the supplied junction box and attached to the light engine through flexible conduit.

Mechanical:

Housing design incorporates metal clad LED circuit board secured to cast aluminum heat sinks to remove heat from LEDs. Housing and trim ring are secured to mounting frame by four (4) screws to provide tight fit to the ceiling. The reflector then snaps into the trim ring.

Ceiling Frame w/Junction Box:

Galvanized steel drop ceiling and new construction mounting frames with bar hangers for use with joists and T-bar ceilings spaced up to 24" O.C.

Galvanized steel remodel mounting frame that can be installed through the opening in the ceiling. Junction box is a minimum of 20ga. galvanized steel and pre wired.

Electrical Requirements
System Input: 120V

Oper. Temp: -13°F to 140°F (-25°C to 60°C)

Storage Temp: -13°F to 140°F (-25°C to 60°C)

Power Consumption: 28.2 watts

Control Options

Available separately. May be dimmed with electronic low voltage dimmers.

Available separately. May also be controlled by third party sensors and timers.

Certification / Warranty

All fixtures are Wet Location Under Covered Ceiling; Three Year Limited Warranty.

This 7DS3 product is pending certification to UL 1598 standards for the US and Canada.